

## ThermoBond Cir-Kit, Thru-Hole Kit (6993-0179, 6993-0180)

### Eyelets and Funnelets

(Inches)

	P/N	E/F	PCB Thickness	Barrel O.D.	Len. Un. Flange	Barrel I.D.	Flange Dia.	Ball Mill Drill P/N
1	1347-0001	Funn.	1/32"	0.038	0.047	0.029	0.065	1112-0010
2	1347-0002	Funn.	1/16"	0.058	0.086	0.048	0.095	1112-0004
3	1347-0006	Funn.	1/64"	0.046	0.052	0.036	0.082	1112-0003
4	1347-0007	Funn.	1/32"	0.047	0.062	0.036	0.08	1112-0003
5	1347-0009	Funn.	1/16"	0.047	0.085	0.036	0.08	1112-0003
6	1347-0010	Funn.	3/32"	0.047	0.118	0.035	0.08	1112-0003
7	1347-0012	Eye.	1/100"	0.03	0.027	0.021	0.046	1112-0002
8	1347-0013	Eye.	1/64"	0.03	0.054	0.022	0.046	1112-0002
9	1347-0015	Eye.	3/64"	0.03	0.073	0.021	0.046	1112-0002
10	1347-0016	Eye.	1/16"	0.03	0.088	0.021	0.046	1112-0002
11	1347-0017	Eye.	1/16"	0.03	0.094	0.021	0.046	1112-0002
12	1347-0019	Eye.	1/8"	0.03	0.174	0.021	0.046	1112-0002
13	1347-0022	Eye.	1/32"	0.035	0.06	0.025	0.07	1112-0010
14	1347-0024	Eye.	3/32"	0.047	0.125	0.037	0.08	1112-0003
15	1347-0026	Eye.	1/16"	0.046	0.092	0.035	0.078	1112-0003
16	1347-0029	Eye.	1/8"	0.046	0.16	0.034	0.076	1112-0003
17	1347-0030	Eye.	3/64"	0.046	0.075	0.034	0.076	1112-0003
18	1347-0036	Eye.	1/16"	0.068	0.102	0.058	0.114	1112-0004
19	1347-0039	Eye.	1/16"	0.04	0.093	0.035	0.06	1112-0010
20	1347-0042	Funn.	3/32"	0.078	0.09	0.066	0.11	1112-0034
21	1347-0050	Funn.	1/64"	0.039	0.051	0.03	0.062	1112-0010
22	1347-0051	Funn.	1/32"	0.039	0.066	0.03	0.062	1112-0010
23	1347-0052	Funn.	3/64"	0.039	0.082	0.03	0.062	1112-0010
24	1347-0053	Funn.	1/16"	0.039	0.098	0.03	0.062	1112-0010
25	1347-0054	Funn.	3/32"	0.039	0.129	0.03	0.062	1112-0010
26	1347-0055	Eye.	1/16"	0.059	0.093	0.048	0.09	1112-0004
27	1347-0056	Funn.	1/16"	0.046	0.1	0.036	0.076	1112-0003
28	1347-0057	Funn.	1/16"	0.04	0.075	0.028	0.062	1112-0010
29	1347-0058	Funn.	1/32"	0.047	0.062	0.037	0.08	1112-0003

PACE Incorporated  
255 Air Tool Drive  
Southern Pines, NC 28387  
910-695-7223  
1.877.882.PACE

PACE Europe, LTD  
11 Holdom Avenue  
Bletchley, Milton Keynes, Buckinghamshire  
MK1 1QU, United Kingdom  
+44 1908 277666

## ThermoBond Cir-Kit, Thru-Hole Kit (6993-0179, 6993-0180)

### Eyelets and Funnelets

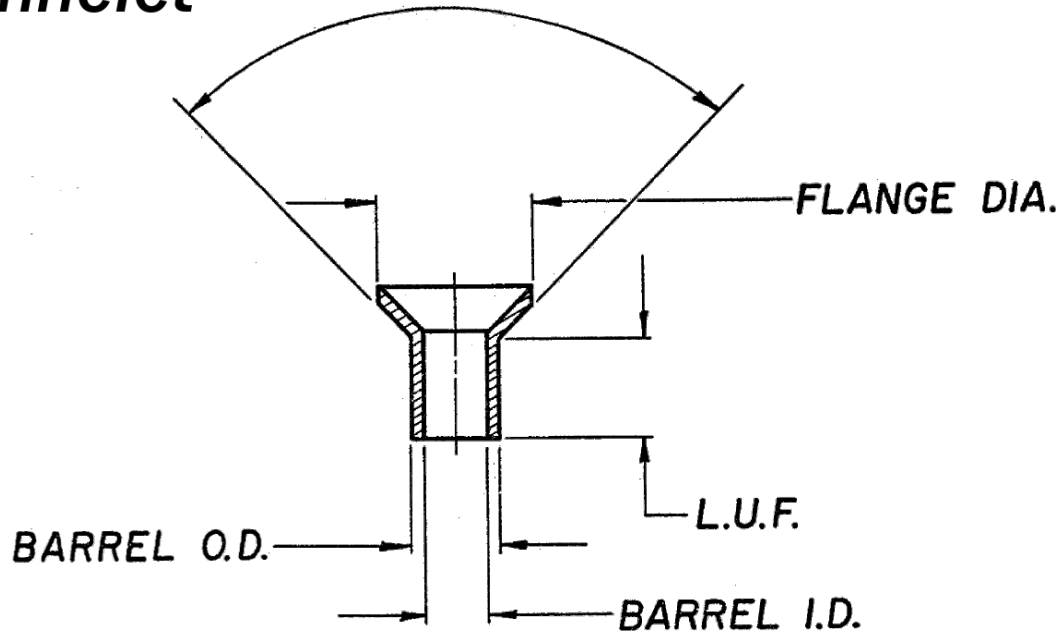
(Millimeters)

	P/N	E/F	PCB Thickness	Barrel O.D.	Len. Un. Flange	Barrel I.D.	Flange Dia.	Ball Mill Drill P/N
1	1347-0001	Funn.	0.79	0.97	1.19	0.74	1.65	1112-0010
2	1347-0002	Funn.	1.59	1.47	2.18	1.22	2.41	1112-0004
3	1347-0006	Funn.	0.40	1.17	1.32	0.91	2.08	1112-0003
4	1347-0007	Funn.	0.79	1.19	1.57	0.91	2.03	1112-0003
5	1347-0009	Funn.	1.59	1.19	2.16	0.91	2.03	1112-0003
6	1347-0010	Funn.	2.38	1.19	3.00	0.89	2.03	1112-0003
7	1347-0012	Eye.	0.25	0.76	0.69	0.53	1.17	1112-0002
8	1347-0013	Eye.	0.40	0.76	1.37	0.56	1.17	1112-0002
9	1347-0015	Eye.	1.19	0.76	1.85	0.53	1.17	1112-0002
10	1347-0016	Eye.	1.59	0.76	2.24	0.53	1.17	1112-0002
11	1347-0017	Eye.	1.59	0.76	2.39	0.53	1.17	1112-0002
12	1347-0019	Eye.	3.18	0.76	4.42	0.53	1.17	1112-0002
13	1347-0022	Eye.	0.79	0.89	1.52	0.64	1.78	1112-0010
14	1347-0024	Eye.	2.38	1.19	3.18	0.94	2.03	1112-0003
15	1347-0026	Eye.	1.59	1.17	2.34	0.89	1.98	1112-0003
16	1347-0029	Eye.	3.18	1.17	4.06	0.86	1.93	1112-0003
17	1347-0030	Eye.	1.19	1.17	1.91	0.86	1.93	1112-0003
18	1347-0036	Eye.	1.59	1.73	2.59	1.47	2.90	1112-0004
19	1347-0039	Eye.	1.59	1.02	2.36	0.89	1.52	1112-0010
20	1347-0042	Funn.	2.38	1.98	2.29	1.68	2.79	1112-0034
21	1347-0050	Funn.	0.40	0.99	1.30	0.76	1.57	1112-0010
22	1347-0051	Funn.	0.79	0.99	1.68	0.76	1.57	1112-0010
23	1347-0052	Funn.	1.19	0.99	2.08	0.76	1.57	1112-0010
24	1347-0053	Funn.	1.59	0.99	2.49	0.76	1.57	1112-0010
25	1347-0054	Funn.	2.38	0.99	3.28	0.76	1.57	1112-0010
26	1347-0055	Eye.	1.59	1.50	2.36	1.22	2.29	1112-0004
27	1347-0056	Funn.	1.59	1.17	2.54	0.91	1.93	1112-0003
28	1347-0057	Funn.	1.59	1.02	1.91	0.71	1.57	1112-0010
29	1347-0058	Funn.	0.79	1.19	1.57	0.94	2.03	1112-0003

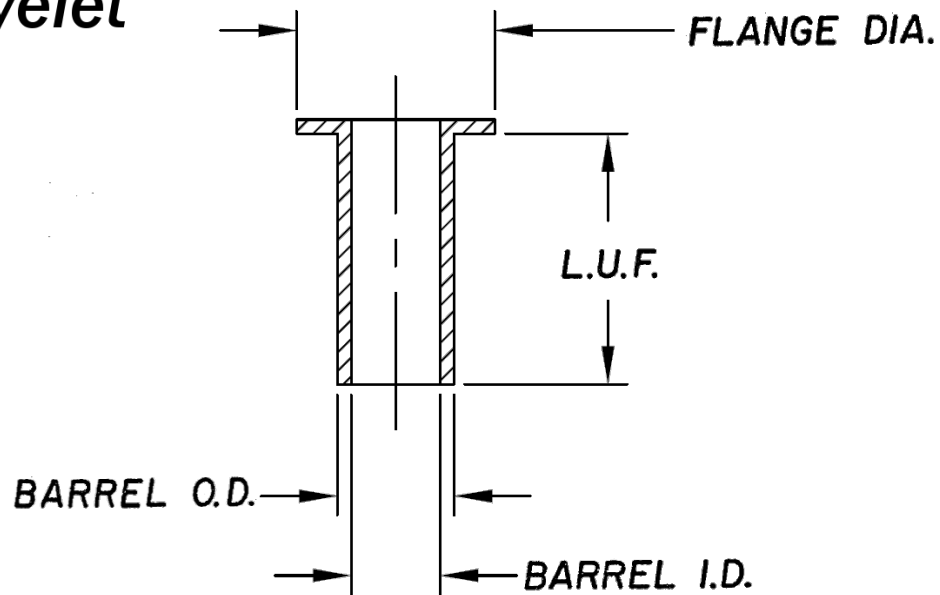
PACE Incorporated  
255 Air Tool Drive  
Southern Pines, NC 28387  
910-695-7223  
1.877.882.PACE

PACE Europe, LTD  
11 Holdom Avenue  
Bletchley, Milton Keynes, Buckinghamshire  
MK1 1QU, United Kingdom  
+44 1908 277666

## Funnelet



## Eyelet



PACE Incorporated  
255 Air Tool Drive  
Southern Pines, NC 28387  
910-695-7223  
1.877.882.PACE

PACE Europe, LTD  
11 Holdom Avenue  
Bletchley, Milton Keynes, Buckinghamshire  
MK1 1QU, United Kingdom  
+44 1908 277666